



NEW

BARRIER

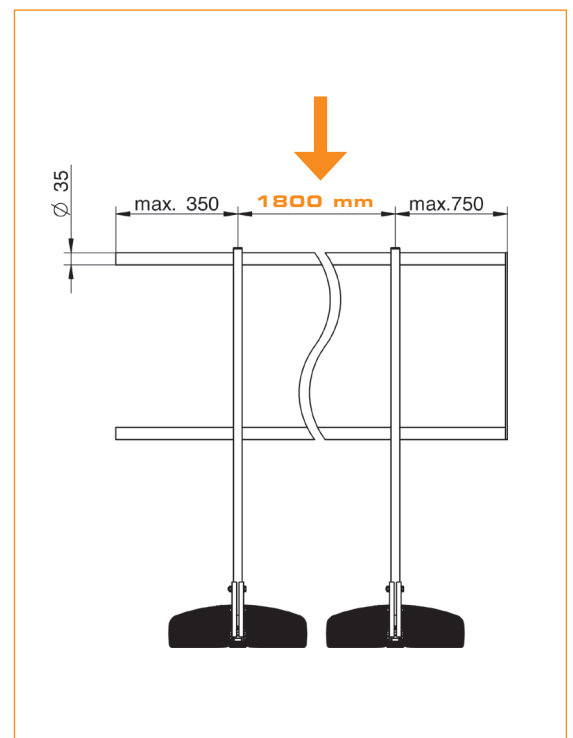
security-rail for flat-roof

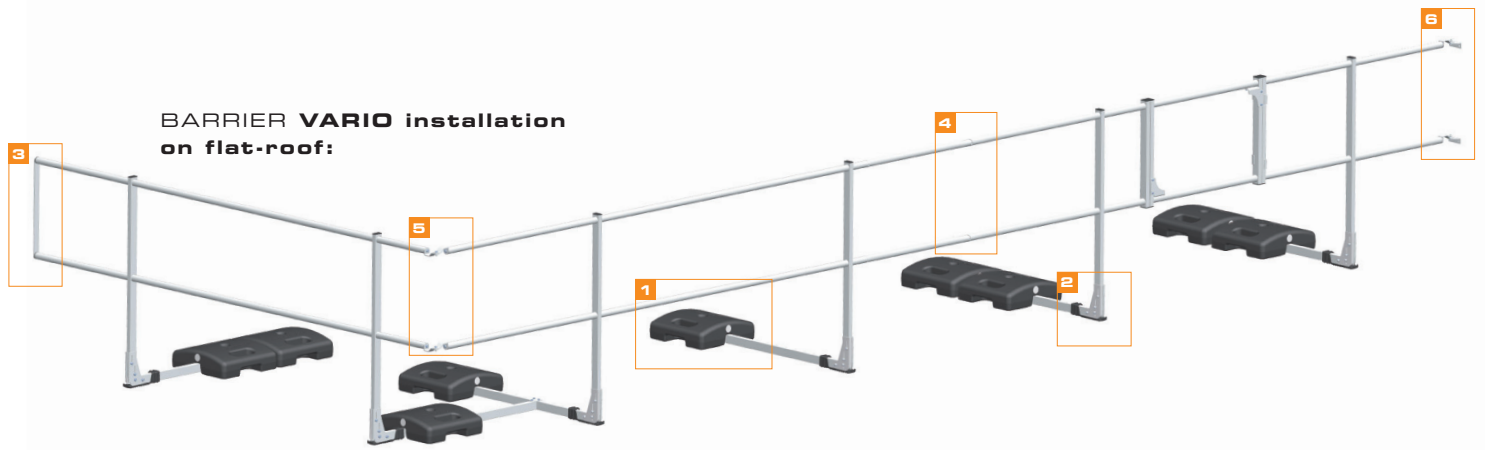


- _light deadweight because of large post distance of 1.8 m
- _adjustable in height and decline
- _no roof perforation and fold-away possibility
- _quick assembly time and simple installation
- _plain design
- _plastic housing of the deadweights with handles for easy carrying
- _ideal for emergency exits
- _tested in accordance with **EN 13374 A**, **EN ISO 14122-3**

VARIABLE ADDITIONAL TOOLS: To get an optimum adjustment to all different conditions on the roof you can install additional tools for example: DOOR ELEMENT, TOE BOARD or ADJUSTABLE CORNER UNIT with an adjusting range up to 325° for a variable rail course.

COST EFFECTIVE: The Innotech Barrier is a very competitive product because of very simple installation and the cheap acquisition.

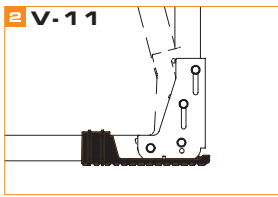




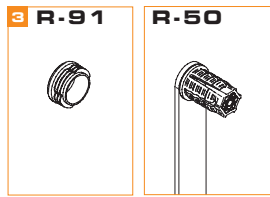
BARRIER VARIO installation on flat-roof:



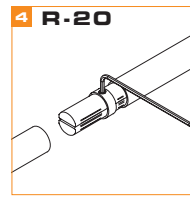
1 V-10
Plastic coated **concrete** weight (400 x 400 x 120 mm) with integrated handle and rounded down corners for a safe and easy transport (weight: approx. 25 kg)



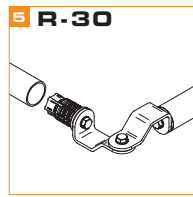
2 V-11
Only with **three bolted connections** you can define the angle of the **rail posts** for an optimum adjusting to the building conditions. (0° or 15°)



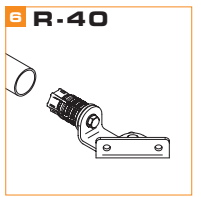
3 R-91 **R-50**
The **end caps (R-91)** will be installed with an overhang of the pipes until 350mm. If the overhang of the pipes is 350 to 700 mm the **connection bar (R-50)** is used.



4 R-20
R-20 in-line connector: Insert in pipe - fixing the screw - ready! Very simple installation from firm in-line pipe connections



5 R-30
R-30 corner unit: The range of the corner unit is adjustable from 35° to 325° this allows an individual connection possibility in the corner areas.

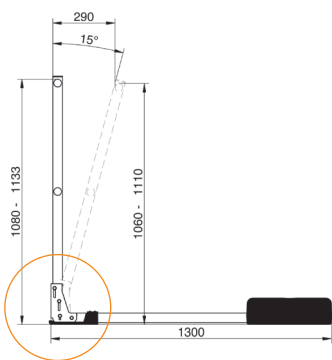


6 R-40
R-40 wall fastening: The range of this unit is adjustable from 90° to 270° for a direct connection to the cladding or wall.

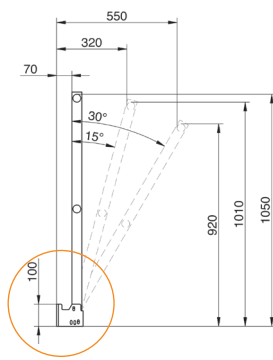
PRODUCT DETAILS

security-rail for flat-roof

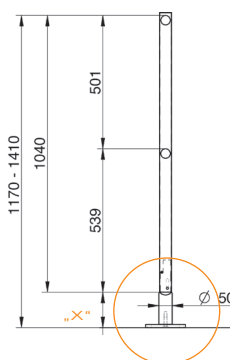
VARIO:



ATTIC:



ROOF:



VARIO: (0° and 15° adjustable)

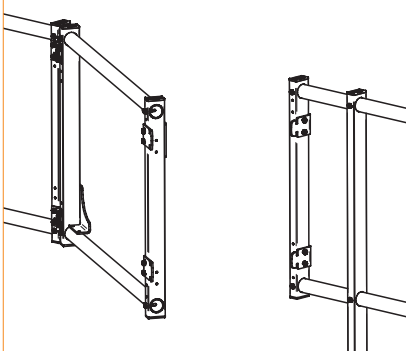
Fold up post - fix bolted connection from the post - fasten the weight - ready! The arm for the dead weight (V-11) is pre-installed and the installation is without roof perforation (minimum necessary height of attic is 50mm)

ATTIC: (0°, 15° and 30° adjustable)

System for installation on inside or outside of an attic. (Fold-away version available in 3 meter segments. In this case is no in-line connector at the connections necessary.)

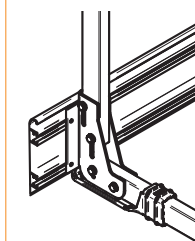
ROOF: For installation on flat roofs and on top of the attic. The standard length from the post ("X") is 150 mm. special length on request available!

(T-10) door-element:

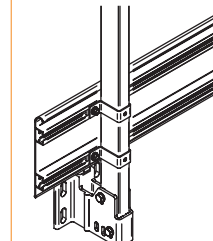


DOOR ELEMENT: (Maximum width of 800 mm) to be adjusted during installation with **standard pipes (R-10)**.

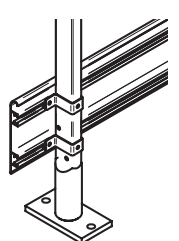
toeboard:



VARIO_TOEBOARD



ATTIKA_TOEBOARD



DACH_TOEBOARD

TOE BOARDS: The installation height of the toe boards is adjustable. Toe boards were used if the attic is lower than 150 mm or if there is no attic!