



NEW

MOBI

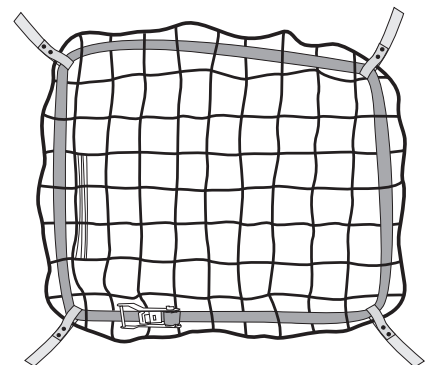
mobile and temporary domelight protection-system

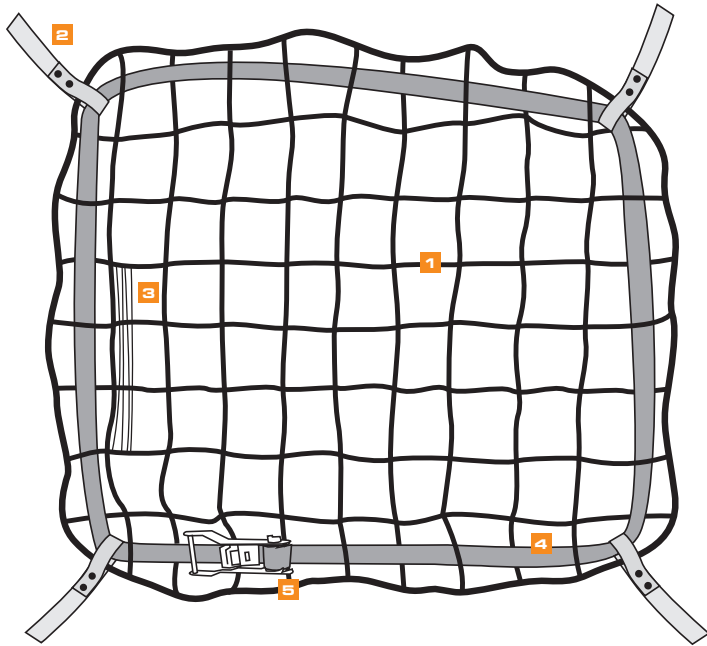


- _mobile sky light protection system
- _mobile temporary single anchor point for 1 person
- _easy and fast installation
- _standard size 2 x 2 and 3 x 3 m (special sizes on request)
- _patent pending

STANDARDS: INNOTECH MOBI was tested as domelight protection system on basics of **EN 1263-1** and as single anchor point on basics of **EN 795:1996 cl. B**

MOBI





- 1 net 2 x 2 m**
material: Polypropylen (high strength PP)
- 2 positioning handles**
(4 grab handles for a simplified fixing on the domelight)
- 3 test strips** (for annual inspection)
The safety system has to be checked (visual and function check) at least once a year by an expert person. This has to be done because the safety for the user is depending on durability and efficiency of the facilities. The inspection interval is depending on the handling intensity and the surroundings.

(please find details referring the inspection in the user manual)
- 4 tension belt** (9 m total length)
- 5 tension belt ratchet**
Material: steel (galvanized)

APPLICATION

mobile domelight protection system

1) DOMELIGHT PROTECTION SYSTEM

(on basics of EN 1263-1)

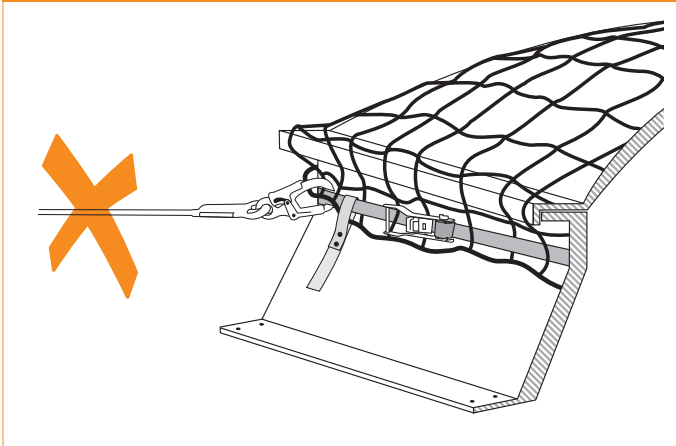
Attention: Permitted as domelight protection, even when the domelight curb is fixed to the substructure (trapezoidal sheet, timber frame), but the roof sealing has not been done so far.

2) DOMELIGHT PROTECTION SYSTEM

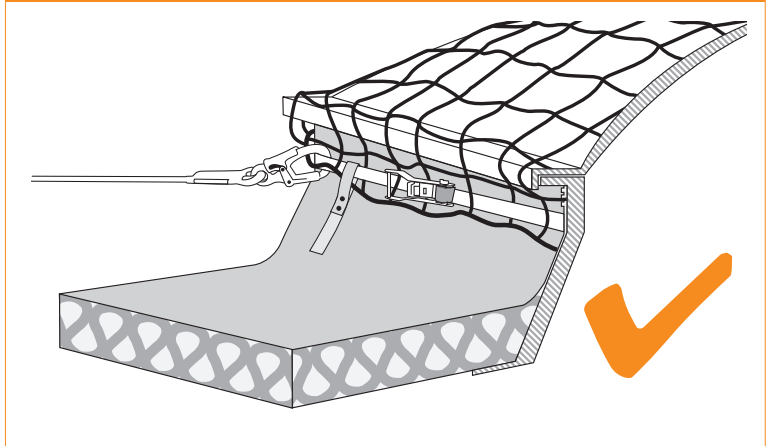
(on basics of EN 1263-1) and **SINGLE ANCHOR POINT**
(on basics of EN 795:1996 class B)

Attention: Permitted when the domelight curb is fixed to the substructure and the insulation as well as the roof sealing (foil, bitumen) are done according to the standards.

TEMPORARY FIXATION ON THE DOMELIGHT CURB **WITHOUT** ROOF SEALING

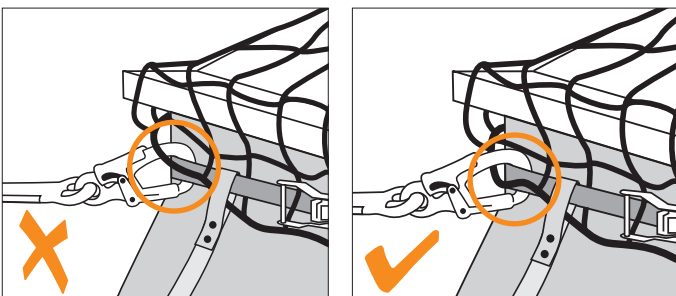


TEMPORARY FIXATION ON THE DOMELIGHT CURB **WITH** ROOF SEALING



3) HOW TO CLIP IN THE CARABINER in application as **SINGLE ANCHOR POINT**

(on basics of EN 795:1996 class B)



Using the INNOTECH-MOBI correct as **single anchor point** the carabiner of the personal protective equipment must be clipped in the **tension belt as well as the net** itself!
(please find graphics left)

MOBI is permitted as single anchor point, but only after installation and sealing of the domelight curb according to standards!

The lanyard (e.g. carabiner) of the personal protective equipment (PPE) is only allowed to be fixed to the correct **closed tension belt**.