



## **STRING-1 /-2 /-3**

Innotech personal protective equipment (PPE)



- \_basic harness upgradeable for nearly all applications**
- \_light weight - 940 g**
- \_available in the sizes M + L**
- \_put on easily because of insert buckles**
- \_additional safety because of insert buckle in the chest area**
- \_tested according to EN 361 and EN 358**

**STRING-1** as basic harness for fall-arrest systems, restraint systems and simple work positioning systems

**STRING-2** as connecting element to the fall arrester or as professional work positioning belt for working on steep roof - in combination with String 1

**STRING-3** for optimum load balance for work positioning systems

### STRING-1



### STRING-1+2



### STRING-1+2+3



## EQUIPMENT

personal protective equipment (PPE)

### STRING-1

- \_from flat roof to easy sloped roofs
- \_vertical access, cable and rail systems
- \_mast climbing: Y and positioning (seldom used)

### STRING-2

- \_adaption for steep roof work
- \_anchorage point in the hip area for optimum load balance (for example long-term work with tensioned rope)
- \_2. application as extension from the rear ring to the guided type fall arrester for easy working on the roof

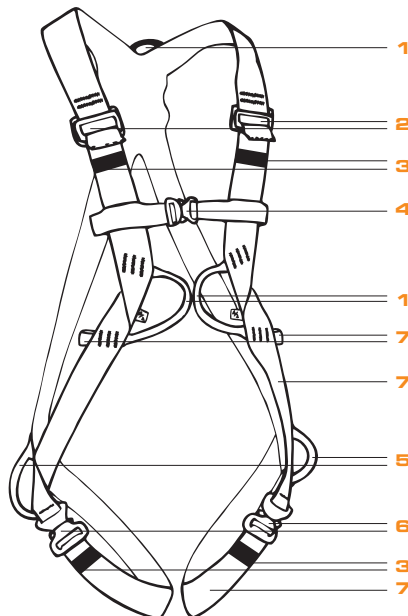
### STRING-3

- \_adaption for mast climbers (probably for long lasting steep roof work)
- \_frequent use of the positioner

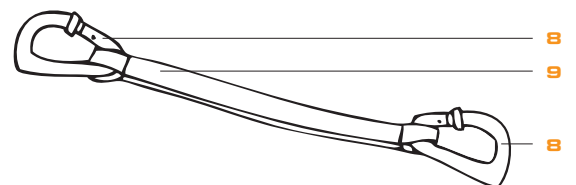
### STRING-1

#### THE FLEXIBLE:

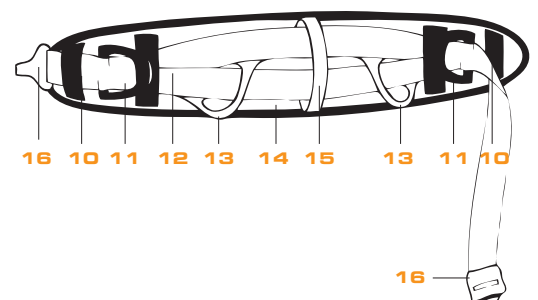
Low storage costs because of the creation of an universal applicable full body harness which can be completed by upgrading tools (String 2+3). The user has the advantage to customize his full body harness in case of changing fields of application.



### STRING-2



### STRING-3





# SETS

personal protective equipment (PPE)

## SET BASIC

**PPE Set for universal operations**

- \_STRING-1 (full body harness)  
EN 361, Größe M/L
- \_BRAKE-10 - fall arrester  
EN 353-2, EN 795 C
- \_1 x triple-lock carabiner  
EN 362

## SET DACH

**PPE Set for operations on roofs**

- \_STRING-1 (full body harness)  
EN 361, Größe M/L
- \_STRING-2 (adaption tool)
- \_BRAKE-10 (fall arrester)  
EN 353-2, EN 795 C
- \_2 x carabiner EN 362

## SET VERTICAL

**PPE Set for vertical operations**

- \_STRING-1 - full body harness  
EN 361, Größe M/L
- \_STRING-3 - adaption tool  
EN 358, Größe M/L
- \_BRAKE-2 (lanyard)  
EN 354, EN 358

**(1)** rear ring & chest ring / **(2)** adjustment buckle / **(3)** elastic loops / **(4)** insert buckle in the chest area / **(5)** positioning loops made of polyester / **(6)** insert buckles for leg area / **(7)** polyester belt band / **(8)** carabiner according to EN 362 / **(9)** multiple sawed polyester - belt band / **(10)** elastic loops / **(11)** positioning loops made of aluminium / **(12)** polyester - belt band / **(13)** material loops made of polyester / **(14)** cushion made of breathable 3D webbing / **(15)** restraint loop made of polyester / **(16)** insert buckle

**FALL-ARREST-SYSTEMS:**

**attachment points: EN-795**

**vertical using:  
EN 353-1/-2**

**Self-retracting lanyard (SRL): EN-360**

**RESTRAINT-SYSTEMS:**

**restraint-systems: EN-363, EN 358**

**POSITIONING-SYSTEMS:**

**vertical working: EN-363, EN 358**      **steep roof:**

**APPLICATION**

Innotech personal protective equipment (PPE)

**(A)** sternal attachment point / **(B)** dorsal attachment point / **(C)** dorsal attachment point with extension tool - STRING 2 (CAUTION: do only use STRING 2 with fall-arrester BRAKE!) / **(D)** CAUTION: Do not extend the self-retracting lanyard (SRL)! (e.g.: with STRING 2) / **(E)** positioning-loops made of polyester / **(F)** restraint-loop made of polyester / **(G)** positioning-loops made of aluminum / **(H)** positioning belt STRING 2 - in combination with BRAKE, for work positioning on steep roofs.